



ACCURATE
SCREEN & GRATING

FIBREGLASS GRATING - PULTRUDED

I-6015

I-BAR

38 x 15 x 23 I-BAR (GRIT-TOP/NON GRIT-TOP)

VANCOUVER

19082-28th Avenue
Surrey, BC
Canada V3S 6M3
TF: 877.687.3488

CALGARY

7571-57th Street SE
Calgary, AB
Canada T2C 5M2
TF: 877.857.0323

EDMONTON

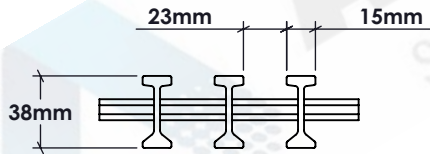
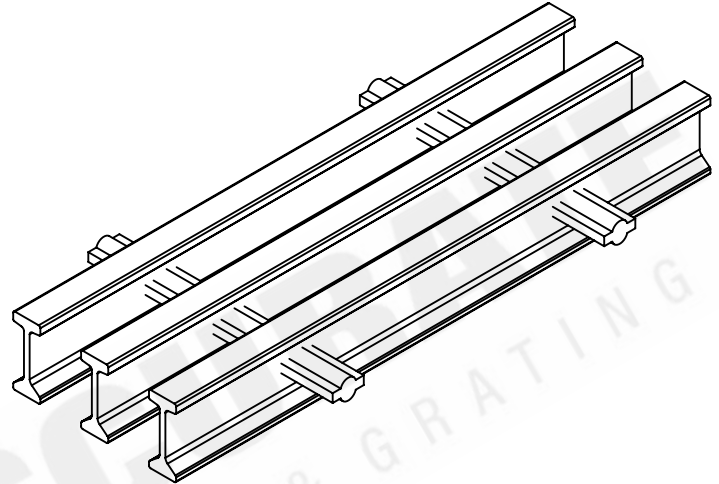
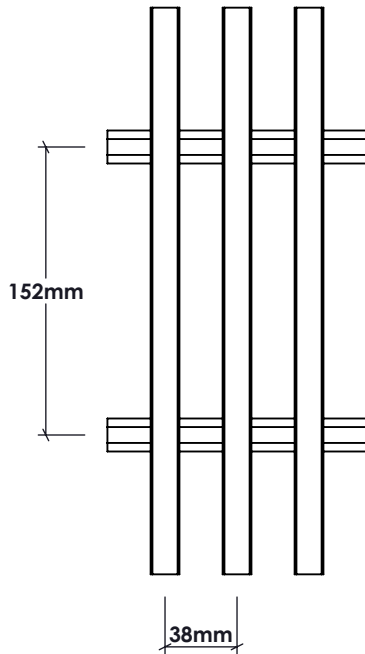
#54-1015 Eby Road SW
Edmonton, AB
Canada T6X 2N9
TF: 877.857.0323

TORONTO

#5-5655 Kennedy Rd
Mississauga, ON
Canada L4Z 3E1
TF: 877.564.3381

MONTREAL

440 Rue Stinson
Saint Laurent, QC
Canada H4N 2E9
TF: 855.325.3826



DEFLECTION IN MILLIMETER - I-BAR PULTRUDED GRATING LOAD TABLES - UNIFORM / CONCENTRATED

SPAN (MM)	BEARING BAR DIMENSIONS		SPACING BETWEEN BARS		LOAD (KPA)								Max Recommended Load (KPA)	
	HEIGHT (MM)	WIDTH (MM)	CENTER TO CENTER	GAP BETWEEN BARS	2.40	4.79	7.19	9.58	14.37	23.95	47.90	95.80		
305	38	15	38	23	<.01 / <.01	<.01 / <.01	<.01 / <.01	<.01 / <.01	<.01 / <.01	<.01 / <.01	<.01 / <.01	<.01 / <.01	<.01 / <.01	843 / 421
457	38	15	38	23	<.01 / <.01	<.01 / <.01	<.01 / <.01	<.01 / <.01	<.01 / <.01	<.01 / <.01	<.01 / <.01	<.01 / <.01	<.01 / <.01	375 / 281
610	38	15	38	23	<.01 / <.01	<.01 / <.01	<.01 / <.01	<.01 / <.01	<.01 / <.01	<.01 / <.01	<.01 / <.01	<.01 / <.01	<.01 / <.01	211 / 211
762	38	15	38	23	<.01 / <.01	<.01 / <.01	<.01 / <.01	<.01 / <.01	<.01 / <.01	<.01 / <.01	<.01 / <.01	.01 / <.01	.02 / .01	133 / 166
914	38	15	38	23	<.01 / <.01	<.01 / <.01	<.01 / <.01	<.01 / <.01	<.01 / <.01	.01 / <.01	.02 / <.01	.02 / .01		91 / 136
1067	38	15	38	23	<.01 / <.01	<.01 / <.01	.01 / <.01	.02 / <.01	.02 / <.01	.03 / .01				65 / 114
1219	38	15	38	23	<.01 / <.01	.01 / <.01	.02 / <.01	.03 / .01	.03 / .01					49 / 97
1372	38	15	38	23	.01 / <.01	.02 / <.01	.03 / .01							37 / 84

TABLE OF SAFE LOADS - METRIC

U - Safe Uniform Load, in KPA
C - Safe Concentrated Load, in KPA

GENERAL

Loads and deflections are theoretical and based on static loading.