



FIBREGLASS GRATING - PULTRUDED

I-6010

I-BAR

25 x 15 x 23 I-BAR (GRIT-TOP/NON GRIT-TOP)

ACCURATE
SCREEN & GRATING

VANCOUVER

19082-28th Avenue
Surrey, BC
Canada V3S 6M3
TF: 877.687.3488

CALGARY

7571-57th Street SE
Calgary, AB
Canada T2C 5M2
TF: 877.857.0323

EDMONTON

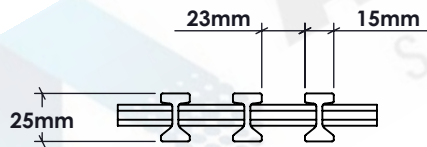
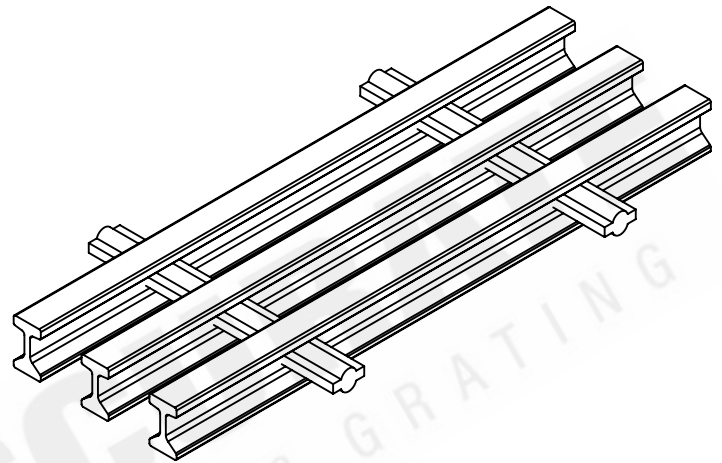
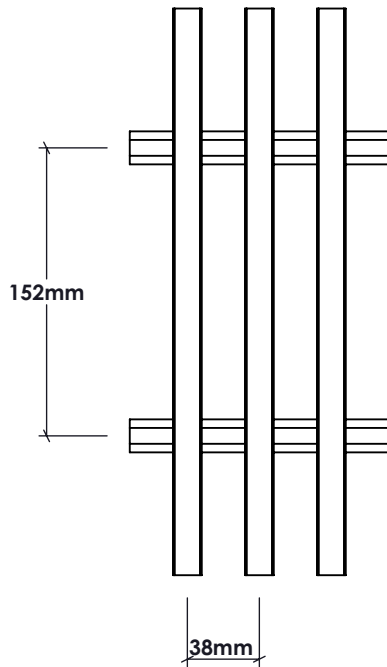
#54-1015 Eby Road SW
Edmonton, AB
Canada T6X 2N9
TF: 877.857.0323

TORONTO

#5-5655 Kennedy Rd
Mississauga, ON
Canada L4Z 3E1
TF: 877.564.3381

MONTREAL

440 Rue Stinson
Saint Laurent, QC
Canada H4N 2E9
TF: 855.325.3826



DEFLECTION IN MILLIMETER - I-BAR PULTRUDED GRATING LOAD TABLES - UNIFORM / CONCENTRATED

| SPAN (MM) | BEARING BAR DIMENSIONS | | SPACING BETWEEN BARS | | LOAD (KPA) | | | | | | | | Max Recommended Load (KPA) |
|-----------|------------------------|------------|----------------------|------------------|-------------|-------------|-------------|-------------|-------------|-------------|-------------|-------------|----------------------------|
| | HEIGHT (MM) | WIDTH (MM) | CENTER TO CENTER | GAP BETWEEN BARS | 2.40 | 4.79 | 7.19 | 9.58 | 14.37 | 23.95 | 47.90 | 95.80 | |
| 305 | 25 | 15 | 38 | 23 | <.01 / <.01 | <.01 / <.01 | <.01 / <.01 | <.01 / <.01 | <.01 / <.01 | <.01 / <.01 | <.01 / <.01 | <.01 / <.01 | 498 / 249 |
| 457 | 25 | 15 | 38 | 23 | <.01 / <.01 | <.01 / <.01 | <.01 / <.01 | <.01 / <.01 | <.01 / <.01 | <.01 / <.01 | <.01 / <.01 | <.01 / <.01 | 237 / 178 |
| 610 | 25 | 15 | 38 | 23 | <.01 / <.01 | <.01 / <.01 | <.01 / <.01 | <.01 / <.01 | <.01 / <.01 | <.01 / <.01 | .01 / <.01 | .02 / .02 | 139 / 139 |
| 762 | 25 | 15 | 38 | 23 | <.01 / <.01 | <.01 / <.01 | <.01 / <.01 | .01 / <.01 | .01 / <.01 | .02 / <.01 | .03 / .02 | | 89 / 111 |
| 914 | 25 | 15 | 38 | 23 | <.01 / <.01 | .01 / <.01 | .02 / <.01 | .02 / .01 | .03 / .02 | | | | 62 / 59 |
| 1067 | 25 | 15 | 38 | 23 | .01 / <.01 | .02 / <.01 | .03 / .01 | | | | | | 45 / 79 |
| 1219 | 25 | 15 | 38 | 23 | .02 / <.01 | .03 / .01 | | | | | | | 34 / 69 |
| 1372 | 25 | 15 | 38 | 23 | .03 / .01 | | | | | | | | 27 / 61 |

TABLE OF SAFE LOADS - METRIC
U - Safe Uniform Load, in KPA
C - Safe Concentrated Load, in KPA

GENERAL
Loads and deflections are theoretical and based on static loading.